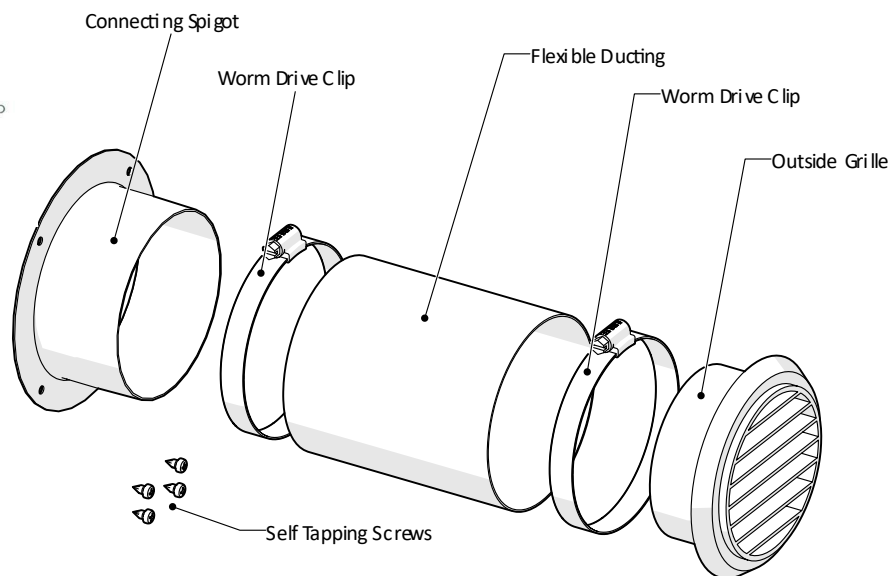


**Go Eco Excel,  
Bakechef and Fireline  
Ecostar Stoves  
External Air  
Connection Kit**

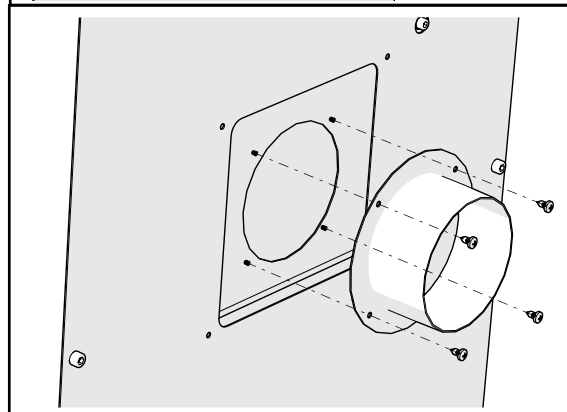
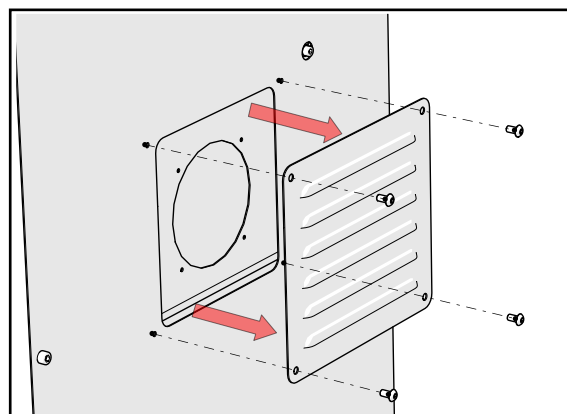
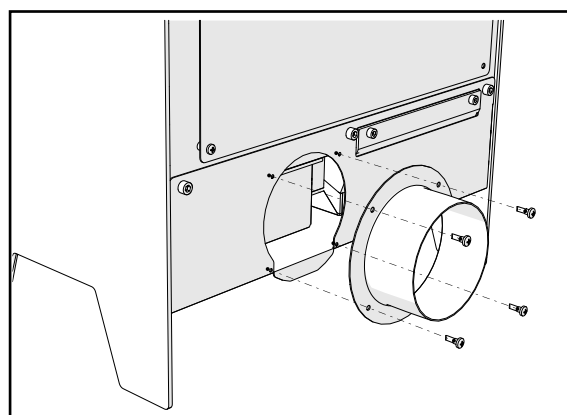


**Installation instructions:**

A direct outside air connection can be made to the stove to supply air for combustion and operation of the flue. 100mm diameter flexible aluminium ducting or similar material is suitable. A length of up to 6m with 4 x 90 degree bends has been tested and found acceptable. Check contents of kit as per the diagram.

**Go Eco Excel models:** A rear air connection is provided. Fix the 100mm diameter air intake connecting spigot to the air box at the bottom rear of the stove as shown. Create the required hole/s in the wall or floors to reach the selected external air intake grille location and the stove connection. Connect the flexible aluminium ducting to the pre-fixed spigot using the worm drive clips provided and carefully thread through to the external intake position. Cut to length, connect to the external grille spigot and continue to install the grille to the wall.

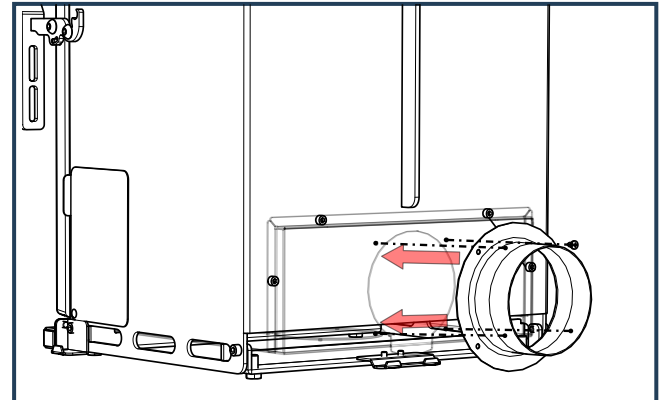
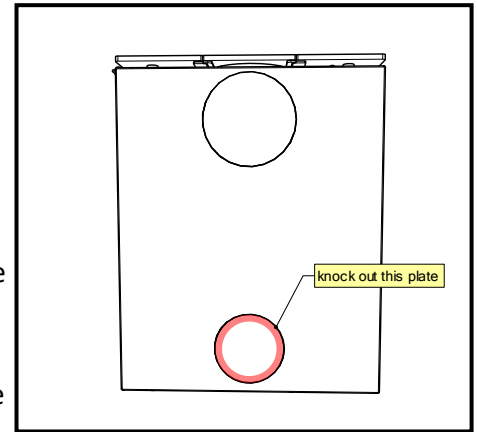
**Go Eco Bakechef models:** A rear air connection is provided. Remove the louvred grill panel from the rear panel of the Bakechef casing. Fix the 100mm diameter air intake connecting spigot to the air box at the rear of the stove as shown. Create the required hole/s in the wall or floors to reach the selected external air intake grille location and the stove connection. Connect the flexible aluminium ducting to the pre-fixed spigot using the worm drive clips provided and carefully thread through to the external intake position. Cut to length, connect to the external grille spigot and continue to install the grille to the wall.



**Ecostar Freestanding models:** a rear and bottom air connection is provided.

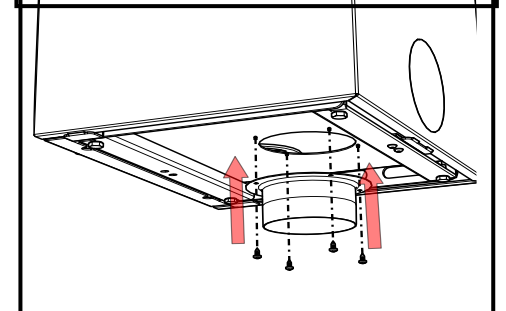
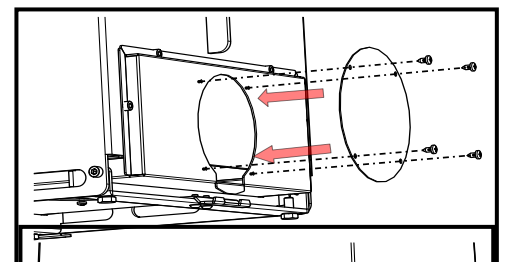
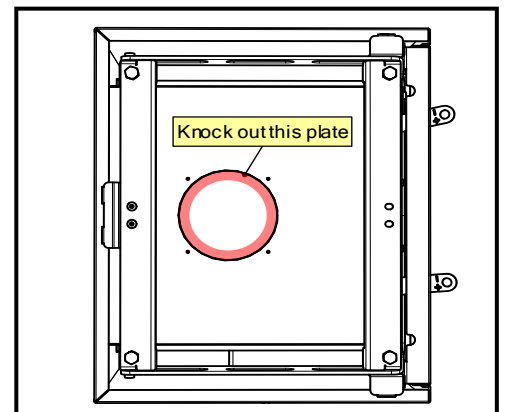
**Rear air connection:**

- knock out the round plate on the rear of the case.
- Remove the outer case to access the external air box.
- Fix the 100mm diameter air intake connecting spigot to the air box at the bottom rear of the stove as shown.
- Refit the outer case of the stove.
- Create the required hole/s in the wall or floors to reach the selected external air intake grille location and the stove connection.
- Connect the flexible aluminium ducting to the pre-fixed spigot using the worm drive clips provided and carefully thread through to the external intake position. Cut to length, connect to the external grille spigot and continue to install the grille to the wall.



**Bottom air connection:**

- knock out the round plate on the external air box at the bottom of the stove.
- Remove the outer case to access the external air box to fit the rear blanking plate.
- Refit the outer case of the stove.
- Fix the 100mm diameter air intake connecting spigot to the air box at the bottom rear of the stove as shown.
- Create the required hole/s in the wall or floors to reach the selected external air intake grille location and the stove connection.
- Connect the flexible aluminium ducting to the pre-fixed spigot using the worm drive clips provided and carefully thread through to the external intake position. Cut to length, connect to the external grille spigot and continue to install the grille to the wall.



**Ecostar Inset models:** a rear air connection is provided

- knock out the round plate on the rear of the case.
- Remove the outer case to access the external air box.
- Fix the 100mm diameter air intake connecting spigot to the air box at the bottom rear of the stove as shown.
- Refit the outer case of the stove.
- Create the required hole/s in the wall or floors to reach the selected external air intake grille location and the stove connection.
- Connect the flexible aluminium ducting to the pre-fixed spigot using the worm drive clips provided and carefully thread through to the external intake position. Cut to length, connect to the external grille spigot and continue to install the grille to the wall.

